



■■■■□  
**BERNAT® BABY COORDINATES  
 SAILOR SUIT  
 (TO CROCHET)**

**SIZES**

**Chest measurement**  
**6 mos** 17 ins [43 cm]  
**12 mos** 19" [48"]

**Finished chest**  
**6 mos** 19½ ins [49.5 cm]  
**12 mos** 22" [56"]

**MEASUREMENTS**

**Bernat® Baby Coordinates** (160 g/5.6 oz)  
**Sizes 6 mos (12 mos)**  
**Pullover and Pants**  
**Main Color (MC):** (Blue) **3 (3) balls**  
**Contrast A:** (White) **1 (1) ball**  
 Sizes 3.75 mm (U.S. F or 5) and 4 mm (U.S. G or 6) crochet hooks **or size needed to obtain gauge.**  
 Length of ¾ inch [2 cm] wide elastic for Pants.

**GAUGE**

18 dc and 8 rows = 4 ins [10 cm] with smaller hook.

**STITCH GLOSSARY**

**Dc2tog** = (Yoh and draw up a loop in next st. Yoh and draw through 2 loops on hook) twice. Yoh and draw through all loops on hook.

**Sc2tog** = (Draw up a loop in next st) twice. Yoh and draw through all loops on hook.

**INSTRUCTIONS**

*The instructions are written for smallest size. If changes are necessary for largest size the instructions will be written thus ( ).*

**Note:** To change color, work to last 2 loops on hook. Draw loop in next color through 2 loops on hook to complete st and proceed in next color.

**Pullover**

**BACK**

\*\*With A and larger hook, ch 46 (52).

**1st row:** (RS). 1 dc in 4th ch from hook (counts as 2 dc). 1 dc in each ch across. 44 (50) dc. Turn.

**2nd row:** Ch 3 (counts as dc). Miss first dc. 1 dc in each dc across. Turn.

**3rd row:** With MC, ch 1. 1 sc in each dc across. Turn.

**4th row:** Ch 1. 1 sc in each sc across. Turn.

**5th row:** With A, ch 3 (counts as dc). Miss first sc. 1 dc in each sc across. Turn.

Rep 2nd to 5th rows for Stripe Pat until work from beg measures approx 5½ ins [14 cm] ending on a 2nd row. Break A.

**Next row:** (RS). With MC, ch 1. 1 sc in each dc across. Turn.

**Next row:** Ch 1. Working in back loop only, 1 sc in each sc across. Turn.

**Next row:** Ch 3 (counts as dc). Miss first sc. 1 dc in each st across. Turn.\*\*

Rep last row until work from beg measures 10½ (11¼) ins [26.5 (28.5) cm] ending with RS facing for next row. Fasten off.

**FRONT**

Work from \*\* to \*\* as given for Back.

Rep last row until work from beg measures 5 rows less than Back to shoulders, thus ending with WS facing for next row.

**Shape neck: Next row:** Ch 3 (counts as dc). Miss first dc. 1 dc in each of next 14 (16) sts (neck edge).

**Turn.** Leave rem sts unworked.

**Next row:** Ch 3 (counts as dc). Dc2tog over next 2 sts. 1 dc in each st to end of row. Turn.

**Next row:** Ch 3 (counts as dc). 1 dc in each st to last 3 sts. Dc2tog over next 2 sts. 1 dc in last st. Turn.

Rep last 2 rows once more. 11 (13) sts. Fasten off.

With WS of work facing, miss center 14 (16) sts. Join MC to next st. Ch 3 (counts as dc). Miss first st. 1 dc in each st across. Turn.

**Next row:** Ch 3 (counts as dc). Miss first st. 1 dc in

each st to last 3 sts. Dc2tog over next 2 sts. 1 dc in last st. Turn.

**Next row:** Ch 3 (counts as dc). Dc2tog over next 2 sts. 1 dc in each st to end of row. Turn.

Rep last 2 rows once more. 11 (13) sts. Fasten off.

**Sailboat Applique**

**Large Sail:** With A and smaller hook, ch 9.

**1st row:** (RS). 1 sc in 2nd ch from hook. 1 sc in each ch across. 8 sc. Turn.

**\*\*2nd row:** Ch 1. Sc2tog over first 2 sc. 1 sc in each sc across. Turn.

**3rd row:** Ch 1. 1 sc in each st across. Turn.\*\*

Rep last 2 rows 4 times more. 3 sts.

**Next row:** Ch 1. Sc2tog over first 2 sc. 1 sc in last st. Turn.

**Next row:** Sc2tog. Fasten off.

**Small Sail:** With A and smaller hook, ch 7.

**1st row:** (WS). 1 sc in 2nd ch from hook. 1 sc in each ch across. 6 sc. Turn.

Rep from \*\*\* to \*\*\* as given for Large Sail.

Rep last 2 rows twice more. 3 sts.

**Next row:** Ch 1. Sc2tog over first 2 sc. 1 sc in last st. Turn.

**Next row:** Sc2tog. Fasten off.

**Boat:** With MC and smaller hook, ch 11.

**1st row:** (RS). 1 sc in 2nd ch from hook. 1 sc in each ch across. 10 sc. Turn.

**2nd row:** Ch 3. 1 dc in first st (counts as 2 dc).

1 dc in each st to last st. 2 dc in last st. Turn.

**3rd row:** As 2nd row. Turn. 14 sts.

**4th row:** Ch 1. 1 sc in each dc across. Fasten off.

**Edging:** Join A with sl st in top right corner. Ch 1. 3 sc in same sp. Work evenly in sc around, working 3 sc in corners. Join with sl st to first sc. Fasten off.

**SLEEVES**

With A and larger hook, ch 32 (34).

**1st row:** (RS). 1 dc in 4th ch from hook. 1 dc in each ch across. 30 (32) dc. Turn.

Beg with a 2nd row, cont in Stripe Pat as given for Back, AT SAME TIME, inc 1 st each end of next and following alt rows until there are 42 (46) sts.

Cont even in Stripe Pat until Sleeve measures approx 6 (7½) ins [15 (19) cm] ending on a 2nd row of pat. Fasten off.

**FINISHING**

Sew shoulder seams.

**Neck Edging: 1st rnd:** With smaller hook, join A with sl st at right shoulder seam and work 58 (62) sc evenly around neck edge. Join MC with sl st to first sc.

**2nd rnd:** With MC, ch 1. 1 sc in each sc around. Join A with sl st to first sc.

**3rd rnd:** With A, ch 1. 1 sc in each sc around. Join with sl st to first sc. Fasten off.

Sew Sailboat Applique to front as illustrated. Place markers on Front and Back side edges 4¾ (5) ins [12 (12.5) cm] down from shoulders. Sew in sleeves between markers. Sew side and sleeve seams.

## Pants

### Left Leg

\*\*\*\*With A and larger hook, ch 41 (45).

**1st row:** (RS). 1 sc in 2nd ch from hook. 1 sc in each ch across. 40 (44) sc. Turn.

**2nd row:** With MC, ch 1. 1 sc in each sc across. Turn.

**3rd row:** With A, ch 1. 1 sc in each sc across. Turn. Break A.

**4th row:** With MC, ch 3 (counts as dc). Miss first sc. 1 dc in each sc across. Turn.

**5th row:** Ch 3. 1 dc in first dc (counts as 2 dc). 1 dc in each st across to last dc. 2 dc in last dc. Turn. Rep last row 3 (4) times more. 48 (54) dc.

**Next row:** Ch 3 (counts as dc). Miss first dc. 1 dc in each dc across. Turn.

**Next row:** Ch 3. 1 dc in first dc (counts as 2 dc). 1 dc in each st across to last dc. 2 dc in last dc. Turn. Rep last 2 rows 3 times more. 56 (62) dc.

**Next row:** Ch 3 (counts as dc). Miss first dc. 1 dc in each dc across. Turn.

**Shape crotch: Next row:** Sl st in each of first 3 sts. Ch 3 (counts as dc). Miss st with last sl st. 1 dc in each dc across to last 2 dc. **Turn.** Leave rem sts unworked. 52 (58) sts.

**Next 2 rows:** Ch 3 (counts as dc). Miss first st. Dc2tog over next 2 sts. 1 dc in each dc across to last 3 sts. Dc2tog over next 2 sts. 1 dc in last st. Turn. 48 (54) sts at end of last row.

**Next row:** Ch 3 (counts as dc). Miss first st. 1 dc in

each dc across. Turn.

Rep last row until crotch measures 7½ (8½) ins [19 (21.5) cm] ending with RS facing for next row.\*\*\*\*

**Next row:** (Fold line). Ch 3 (counts as dc). Miss first dc. 1 dc in each of next 24 (26) dc. 1 hdc in each of next 12 (14) dc. 1 sc in each of last 11 (13) dc. Turn.

**Next row:** Ch 3 (counts as dc). Miss first sc. 1 dc in each st across. Turn.

**Next row:** Ch 3 (counts as dc). Miss first dc. 1 dc in each st across. Fasten off.

### Right Leg

Work from \*\*\*\* to \*\*\*\* as given for Left Leg.

**Next row:** (Fold line). Ch 1. 1 sc in each of next 11 (13) dc. 1 hdc in each of next 12 (14) dc. 1 dc in each of last 24 (26) dc. Turn.

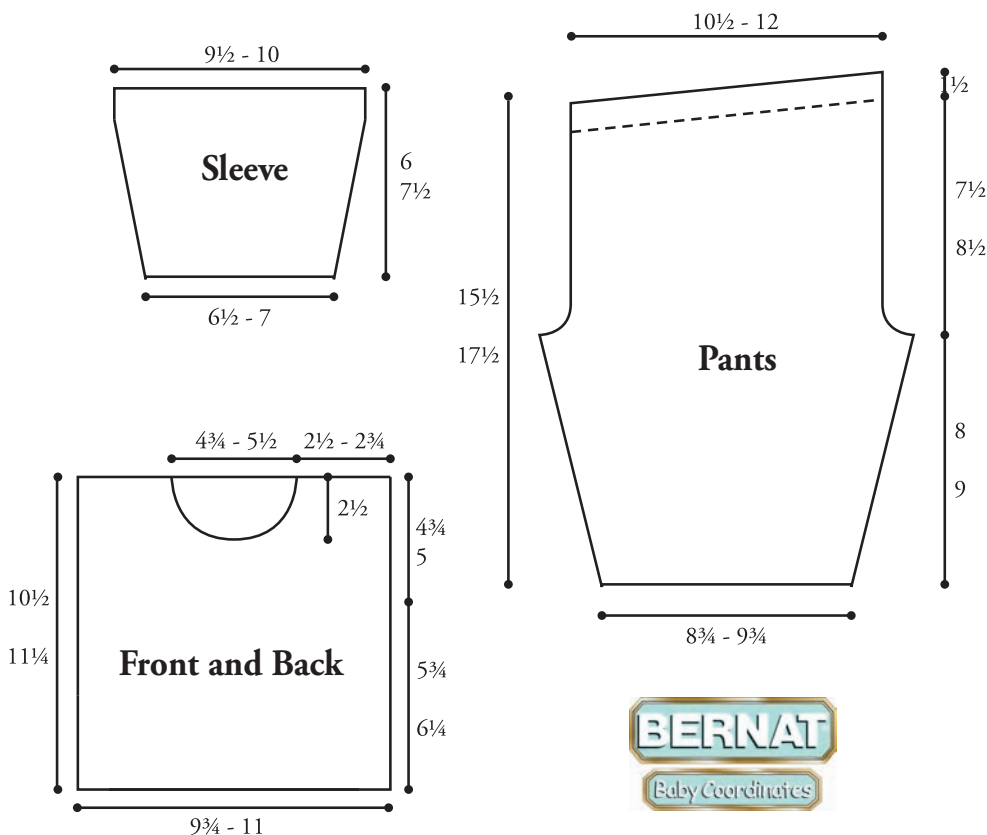
**Next row:** Ch 3 (counts as dc). Miss first dc. 1 dc in each st across. Turn.

**Next row:** Ch 3 (counts as dc). Miss first dc. 1 dc in each st across. Fasten off.

## FINISHING

Pin garment pieces to measurements. Cover with a damp cloth, leaving cloth to dry.

Sew inseams. Sew crotch seam. Fold top edges along fold line for elastic casing and sew in position, leaving an opening at center back to insert elastic. Cut elastic to waist measurement. Draw through casing. Sew ends of elastic tog securely. Sew opening of casing closed.



P.O. Box 40, Listowel ON N4W 3H3  
"home style... life style... your style."