



Argyle Sweater

BERNAT® SUPER VALUE
BERNAT® BERELLA 4
BERNAT® SATIN

SIZES

To fit bust measurement

Extra-Small/Small

28-34 ins [71-86.5 cm]

Medium

36-38 ins [91.5-96.5 cm]

Large

40-42 ins [101.5-106.5 cm]

Extra-Large

44-46 ins [112-117 cm]

2/3 Extra-Large

48-54 ins [122-137 cm]

4/5 Extra-Large

56-62 ins [142-157.5 cm]

Finished bust

X-Small/Small 37 ins [94 cm]

Medium 41 ins [104 cm]

Large 44½ ins [113 cm]

X-Large 49½ ins [125.5 cm]

2/3 X-Large 58 ins [147.5 cm]

4/5 X-Large 66 ins [167.5 cm]

GAUGE

17 sts and 24 rows = 4 ins [10 cm]
 with larger needles in stocking st.

MATERIALS

Bernat® Super Value

(197 g/7 oz/389 m/426 yds)

or **Bernat® Berella 4**

(100 g/3.5 oz/197 m/216 yds)

or **Bernat® Satin**

(100 g/3.5 oz/149 m/163 yds)

Size XS/S

MC: (Dk Grey) **660 m/720 yds**

A: (Pink) **85 m/95 yds**

B: (White) **70 m/80 yds**

Size M

MC: (Dk Grey) **705m/770 yds**

A: (Pink) **90 m/100 yds**

B: (White) **75 m/85 yds**

Size L

MC: (Dk Grey) **755m/825 yds**

A: (Pink) **95 m/105 yds**

B: (White) **80 m/90 yds**

Size XL

MC: (Dk Grey) **850 m/930 yds**

A: (Pink) **100 m/110 yds**

B: (White) **85 m/95 yds**

Size 2/3XL

MC: (Dk Grey) **940 m/1030 yds**

A: (Pink) **105 m/115 yds**

B: (White) **90 m/100 yds**

Size 4/5XL

MC: (Dk Grey) **990 m/1080 yds**

A: (Pink) **110 m/120 yds**

B: (White) **95 m/105 yds**

Sizes 5 mm (U.S. 8) and 5.5 mm (U.S. 9) knitting needles **or size needed to obtain gauge.** 4 st holders.

ABBREVIATIONS

Alt = Alternate.

Beg = Beginning.

Cont = Continue(ity).

Dec = Decrease(ing).

Inc = Increase 1 stitch by knitting into front and back of next stitch.

K = Knit.

K2tog = Knit 2 stitches together.

P = Purl.

P2tog = Purl 2 stitches together.

P2togtbl = Purl 2 stitches together through back loop.

Pss = Pass slipped stitch over.

Rem = Remaining.

Rep = Repeat.

RS = Right side.

Sl1 = Slip next stitch knitwise.

St(s) = Stitch(es).

WS = Wrong side.

INSTRUCTIONS

The instructions are written for smallest size. If changes are necessary for larger sizes the instructions will be written thus (). When only one number is given, it applies to all sizes. For ease in working, circle all numbers pertaining to your size.

Note: When working from chart, wind small balls of colors to be used, one for each separate area of color in the design. Start new colors at appropriate points. To change colors, twist the two colors around each other where they meet on WS to avoid a hole.

BACK

With smaller needles and B, cast on 73 (83-88-103-118-138**) sts. Break B.
1st row: (RS). With MC, K3. *P2. K3. Rep from * to end of row.

2nd row: P3. *K2. P3. Rep from * to end of row.

Rep last 2 rows of (K3. P2) ribbing for 5 ins [12.5 cm], ending with a 2nd row and 0 (**dec 2-inc 1-dec 2-inc 1-dec 1**) st(s) across last row. 73 (**81-89-101-119-137**) sts.

Change to larger needles and proceed in stocking st, inc 1 st each end of needle on next and every following 10th row 2 (2-2-1-1-1) time(s) more. 79 (87-95-105-123-141) sts.**

Cont even until work from beg measures 11½ (11½-12½-14½-16½-18) ins [29 (29-32-37-42-45.5) cm], ending with a purl row.

Shape raglans: Cast off 6 (8-9-11-16-18) sts beg of next 2 rows. 67 (71-77-83-91-105) sts.

Work 2 rows even.

Next row: (RS). K2. K2tog. Knit to last 4 sts. Sl1. K1. pssso. K2.

Work 3 rows even.

Rep last 4 rows 3 (3-2-3-2-0) times more. 59 (63-71-75-85-103) sts.

Next row: (RS). K2. K2tog. Knit to last 4 sts. Sl1. K1. pssso. K2.

Next row: Purl.

Rep last 2 rows 13 (15-18-18-23-30) times more. 31 (31-33-37-37-41) sts. Leave rem sts on a st holder.

FRONT

Work from ** to ** as given for Back. Cont even until work from beg measures 2 rows less than back before Raglan shaping, ending with a purl row.

Chart placement: Next row: (RS). K19 (23-27-32-41-50). Knit 1st row of Chart, reading row from **right** to left. K19 (23-27-32-41-50).

Next row: P19 (23-27-32-41-50). Purl 2nd row of Chart, reading row from **left** to right. P19 (23-27-32-41-50). Chart is now in position.

Cont in Chart to end of chart as follows:

Shape raglans: Cast off 6 (8-9-11-16-18) sts beg of next 2 rows. 67 (71-77-83-91-105) sts.

Pat 2 rows even.

Next row: (RS). K2. K2tog. Pat to last 4 sts. Sl1. K1. pssso. K2.

Pat 3 rows even.

Rep last 4 rows 3 (3-2-3-2-0) times more. 59 (63-71-75-85-103) sts.

Next row: (RS). K2. K2tog. Pat to last 4 sts. Sl1. K1. pssso. K2.

Next row: Purl.

Rep last 2 rows 3 (5-8-7-12-17) times more. 51 (51-53-59-59-67) sts.

Shape neck: 1st row: With MC, K2. K2tog. K16 (16-16-17-17-17). **Turn.**

Leave rem sts on a spare needle.

2nd row: P2tog. Purl to end of row.

3rd row: K2. K2tog. Knit to last 2 sts. K2tog.

4th row: As 2nd row.

5th row: As 3rd row.

6th row: Purl.

Rep last 2 rows 4 times more. 5 (5-5-6-6-6) sts.

Dec 1 st at raglan edge **only** on next and every following alt row to 2 sts.

Next row: P2tog. Fasten off.

With RS of work facing, slip next 11 (11-13-17-17-25) sts onto a st holder. Join MC to rem sts and knit to last 4 sts. Sl1. K1. pssso. K2.

2nd row: Purl to last 2 sts. P2togtbl.

3rd row: Sl1. K1. pssso. Knit to last 4 sts. Sl1. K1. pssso. K2.

4th row: As 2nd row.

5th row: As 3rd row.

6th row: Purl.

Rep last 2 rows 4 times more. 5 (5-5-6-6-6) sts.

Dec 1 st at raglan edge **only** on next and every following alt row to 2 sts.

Next row: P2togtbl. Fasten off.

SLEEVES

With smaller needles and B, cast on 43 (43-43-48-48-53) sts. Break B.

1st row: (RS). With MC, K3. *P2. K3. Rep from * to end of row.

2nd row: P3. *K2. P3. Rep from * to end of row.

Rep last 2 rows of (K3. P2) ribbing for 7 ins [18 cm], ending with a 2nd row and inc 2 (2-2-3-3-2) sts evenly across last row. 45 (45-45-51-51-55) sts.

Change to larger needles and proceed in stocking st, inc 1 st each end of needle on next and every following 10th (6th-6th-6th-4th-2nd) row to 53 (57-65-69-79-61) sts, then every following 12th (10th-6th-6th-4th-4th) row to 57 (63-67-71-81-87) sts.

Cont even until work from beg measures 17½ (18-18-17½-17-16½) ins [44.5 (45.5-45.5-44.5-43-42) cm], ending with a purl row.

Shape raglans: Cast off 6 (8-9-11-16-18) sts beg of next 2 rows. 45 (47-49-49-49-51) sts.

Work 2 rows even.

Next row: (RS). K2. K2tog. Knit to last 4 sts. Sl1. K1. pssso. K2.

Work 3 rows even.

Rep last 4 rows 3 (4-4-7-10-12) times more. 37 (37-39-33-27-25) sts.

Next row: (RS). K2. K2tog. Knit to last 4 sts. Sl1. K1. pssso. K2.

Next row: Purl.

Rep last 2 rows 14 (14-15-11-8-7) times more. 7 (7-7-9-9-9) sts. Leave rem sts on a st holder.

FINISHING

Pin garment pieces to measurements. Cover with a damp cloth, leaving cloth to dry.

Duplicate st on Front as shown on Chart.

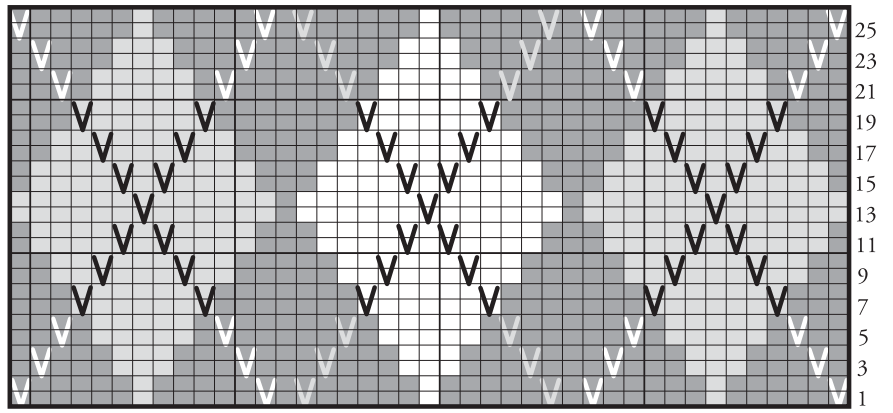
Collar: Sew raglan seams, leaving back left raglan open. With RS of work facing, smaller needles and MC, K7 (7-7-9-9-9) from left sleeve st holder. Pick up and knit 15 (15-15-15-17-19) sts

down left front neck edge. K11 (11-13-17-17-25) from front st holder, inc 1 (1-1-1-1-0) st at center. Pick up and knit 15 (15-15-15-17-19) sts up right front neck edge. K7 (7-7-9-9-9) from right sleeve st holder. K31 (31-33-37-37-41) from back st holder, inc 1 (1-2-0-1-1) st(s) evenly across. 88 (88-93-103-108-123) sts.

Beg with a 2nd row, work in (K3, P2) ribbing as given for Back for 3 ins [7.5 cm]. With B, work 1 row. Cast off in ribbing.

Sew left back raglan and collar seam. Sew side and sleeve seams.

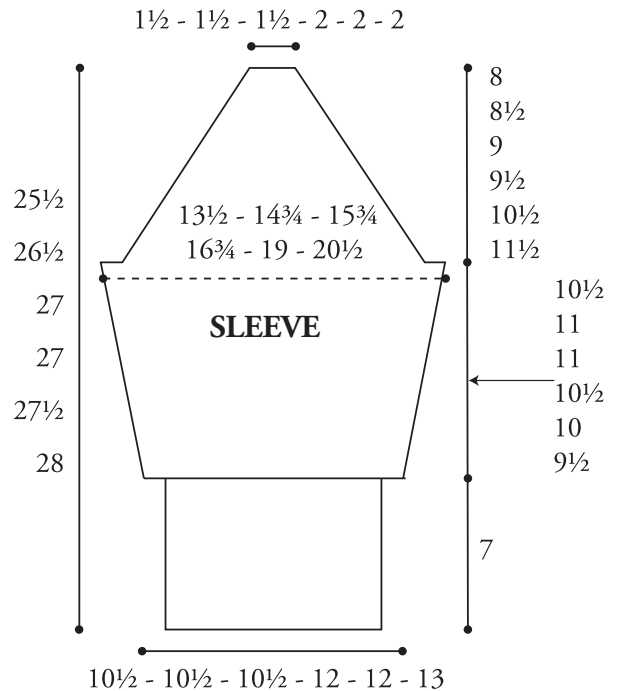
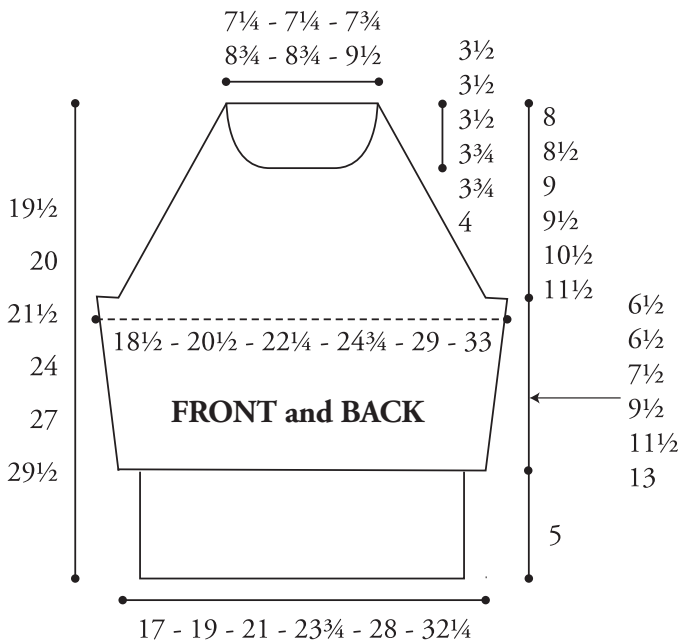
CHART



Start Here

KEY

- = MC
- = Contrast A
- = Contrast B
- V = Duplicate st with MC.
- V = Duplicate st with A.
- V = Duplicate st with B.



P.O. Box 40, Listowel ON N4W 3H3
 "home style... life style... your style."